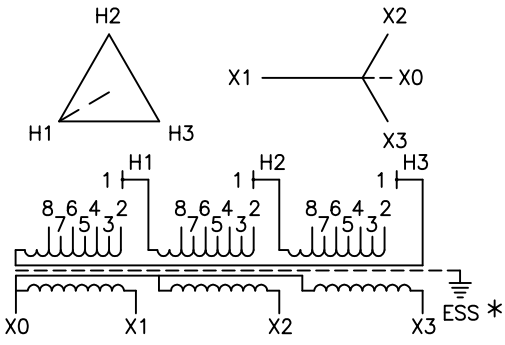
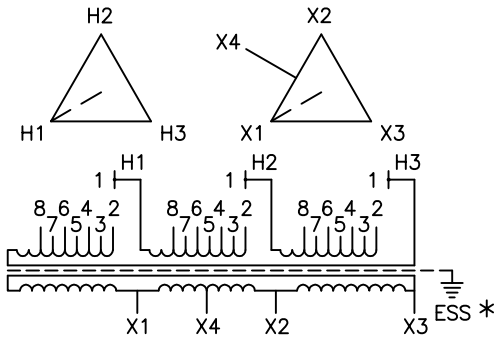


X4 LIGHTING TAP
IF APPLICABLE



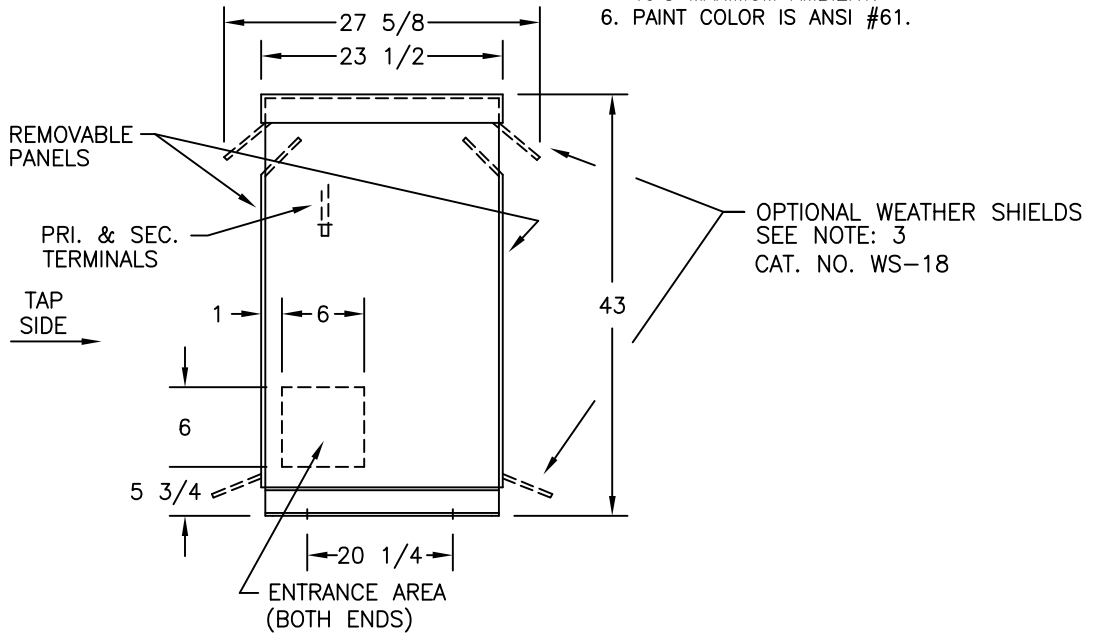
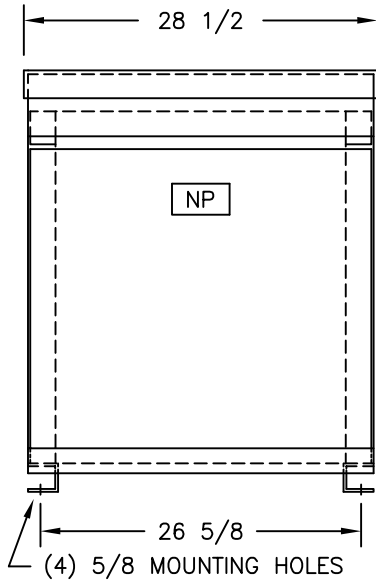
TYPICAL WIRING DIAGRAM



TYPICAL WIRING DIAGRAM

NOTES:

1. ALL UNITS ARE UL LISTED AND ARE DESIGNED IN ACCORDANCE WITH APPLICABLE NEMA, ANSI, AND IEEE STANDARDS.
2. TRANSFORMERS ARE DRY-TYPE, CLASS AA, VENTILATED NEMA 2 ENCLOSURE FOR INDOOR USE.
3. WITH INSTALLATION OF OPTIONAL WEATHER SHIELDS, TRANSFORMER BECOMES NEMA 3R FOR OUTDOOR USE.
4. TRANSFORMERS ARE FLOOR MOUNTED. WALL MOUNTING BRACKETS ARE OPTIONAL AND ARE SUPPLIED AS SEPARATE ACCESSORIES.
5. TRANSFORMERS HAVE 220°C CLASS INSULATION SYSTEM WITH THE AVERAGE WINDING TEMPERATURE RISE BASED ON 40°C MAXIMUM AMBIENT.
6. PAINT COLOR IS ANSI #61.



UNIT WEIGHT REF. (F)

NET WT. IN LBS.	A	B	C	D	E	F
ALUMINUM	515	520	595	675	710	760
COPPER	550	580	670	750	835	875

* ELECTROSTATIC SHIELD GROUNDED TO TRANSFORMER CASE AT FACTORY IF APPLICABLE

DRAWINGS
 APPROVAL
 RECORD
 OTHER

NOT FOR CONSTRUCTION PURPOSES. CONSULT FACTORY FOR CERTIFIED DIMENSIONS

QUANTITY		CUST.	
KVA		JOB	
PRIMARY VOLTAGE		P.O.	
SECONDARY VOLTAGE		S.O.	
TEMPERATURE RISE IN °C		CATALOG NO.	
WINDINGS & TERMINALS	<input type="checkbox"/> ALUMINUM <input type="checkbox"/> COPPER		
FREQUENCY		BY SV	ENG. LOG.
TAPS		DATE 7/17/02	TITLE TP1 ENERGY EFFICIENT COMPLIANT DRY TYPE TRANSFORMER GENERAL PURPOSE THREE PHASE, 600 VOLT CLASS
		REV 2	MFG. LOG.
		DATE:12/28/06	DWG. FILE
		DWG. NO. D4808A3224-	