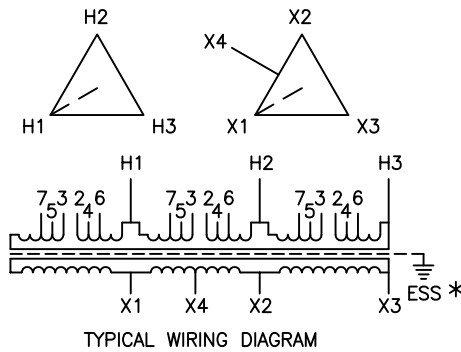
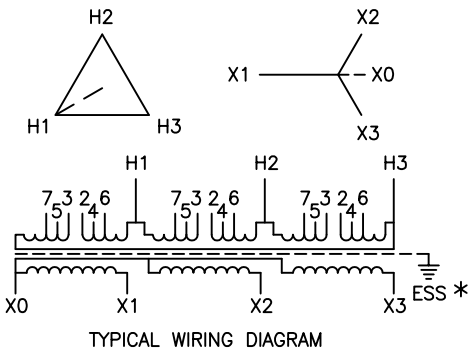
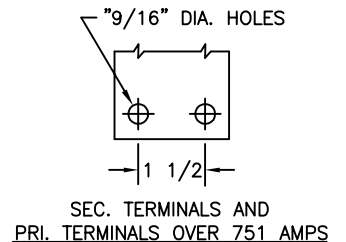
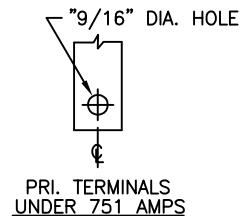
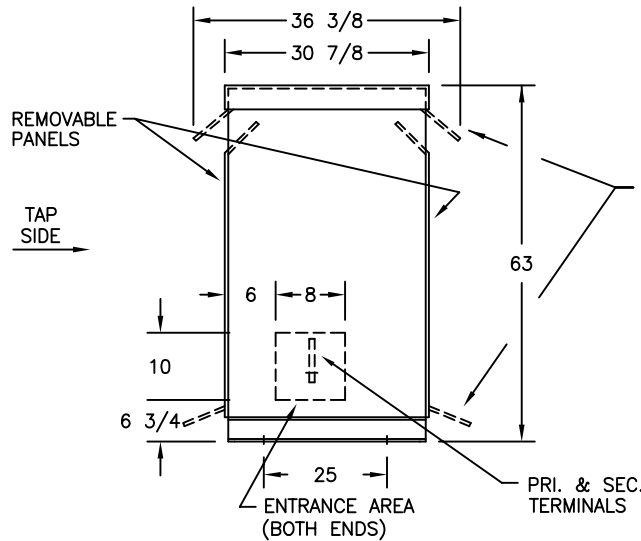
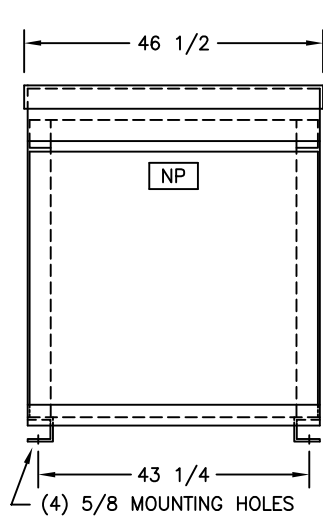


X4 LIGHTING TAP  
IF APPLICABLE



**NOTES:**

1. ALL UNITS ARE UL LISTED AND ARE DESIGNED IN ACCORDANCE WITH APPLICABLE NEMA, ANSI, AND IEEE STANDARDS.
2. TRANSFORMERS ARE DRY-TYPE, CLASS AA, VENTILATED NEMA 2 ENCLOSURE FOR INDOOR USE.
3. WITH INSTALLATION OF OPTIONAL WEATHER SHIELDS, TRANSFORMER BECOMES NEMA 3R FOR OUTDOOR USE.
4. TRANSFORMERS ARE FLOOR MOUNTED.
5. TRANSFORMERS HAVE 220°C CLASS INSULATION SYSTEM WITH THE AVERAGE WINDING TEMPERATURE RISE BASED ON 40°C MAXIMUM AMBIENT.
6. PAINT COLOR IS ANSI #61.



**UNIT WEIGHT REF(B)**

NET WT. IN LBS.	A	B
ALUMINUM	1580	1630
COPPER	1755	1830

\* ELECTROSTATIC SHIELD GROUNDED TO TRANSFORMER CASE AT FACTORY IF APPLICABLE

DRAWINGS
<input type="checkbox"/> APPROVAL
<input checked="" type="checkbox"/> RECORD
<input type="checkbox"/> OTHER

NOT FOR CONSTRUCTION PURPOSES. CONSULT FACTORY FOR CERTIFIED DIMENSIONS

QUANTITY			CUST.		
KVA			JOB		
PRIMARY VOLTAGE			P.O.		
SECONDARY VOLTAGE			S.O.		
TEMPERATURE RISE IN °C			CATALOG NO.		
WINDINGS & TERMINALS	<input type="checkbox"/> ALUMINUM	<input type="checkbox"/> COPPER			
FREQUENCY			BY SV	ENG. LOG.	TITLE TP1 ENERGY EFFICIENT COMPLIANT DRY TYPE TRANSFORMER GENERAL PURPOSE THREE PHASE, 600 VOLT CLASS
TAPS			DATE 7/18/02		
<b>FEDERAL PACIFIC</b>			REV 1	MFG. LOG.	DWG. NO.
			DATE: 3/21/03	DWG. FILE	D4808A3227-