

NOVA Energy & Automation



Product Specifications

10 inch Wall Duct

Model W103560 Ferrous and Non Ferrous

A 3D perspective rendering of a duct section, showing a blue interior and a grey exterior. The duct is shown in a U-shaped cross-section, with the right side being a separate piece that fits into the main duct. The date "03 January 2012" is printed on the inner surface of the right-hand piece.

03 January 2012

Product Description

1. Large Capacity Wire Ways

Large capacity metal wire ways are commonly used to route signalling, power, data, and mechanical connections to medical imaging equipment during new construction and renovations. Wire ways allow cable routing to be accomplished in applications where conduit is not feasible while maintaining the integrity and aesthetics of the medical imaging suite. Upgrades and maintenance to the medical imaging equipment are easy to accomplish with the removable covers and modular design of the Nova wire duct.

Steel wire ways (Ferrous Metal) are commonly used with X-ray, CT, Mammography, Linear Accelerator, and Nuclear Camera Installations. Steel wire ways are also used inside of the equipment room and control room of a typical MRI installation (not the magnet room).

Aluminium wire ways (Non Ferrous Metal) are commonly used inside of the MRI Magnet room.

Wall Duct can be installed in non load-bearing applications surface mounted on the wall or flush mounted in the wall. It is typically installed on walls, above the ceiling, or surface mounted on the floor. Wall Duct is manufactured in a variety of sizes from 4 inch up to 48 inches.

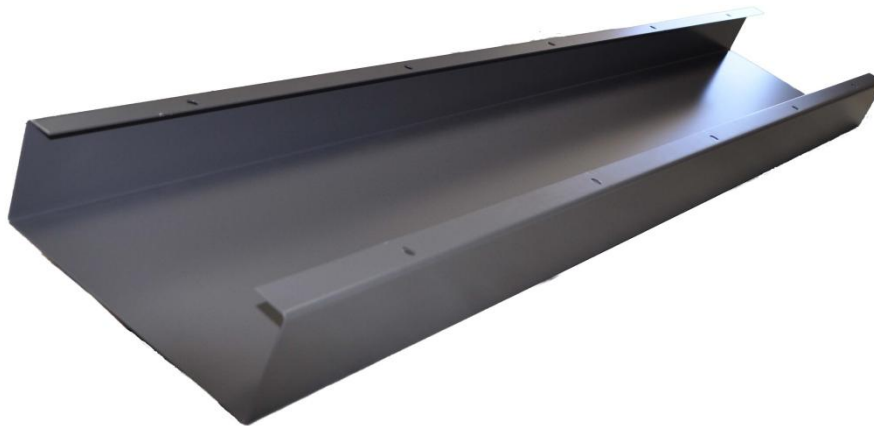


Figure 1: Wall Duct

2. Features/Benefits

Features

- ETL listed to UL 870 and cUL standards to conform to NEC.
- Constructed of 14GA A36 Galvanized steel or 12GA 3003 formed Aluminium
- Painted during manufacturing to provide a clean finish to the room DuPont Imron 3.5 HG high gloss ASA-49 (Light Grey)
- Material selection support with Guaranteed Bill of Materials
- Auto Cad Drawings available for every project
- Superior Packaging and Labelling

Benefits

- Several sizes available from stock: 10"x3.5", 10"x3.5", 18"x3.5"
- Custom sizes and fittings available in 1-2 weeks
- Allows access to wiring and mechanical connections for maintenance
- Provides a standardized platform for future modifications or upgrades
- ¼" Rabbetted cover provides superior protection of cabling, and clean look during field modifications.
- Allows cable routing to be accomplished in applications where conduit is not feasible
- Engineering and customer service support throughout the project
- No Small order charge
- Packaged and labeled with project identification such as room number, wall number and configuration to assist in faster installations

Options

- Custom Paint (please specify DuPont code)
- Custom sizes up to 48 inches wide
- Custom fittings and angles designed around the project specifications
- Water Tight Gasket
- Lockable security Cover
- Hinged Cover
- Non Ferrous for MRI Installations

3. Specifications

10 inch Wall Duct Component Quick Reference Guide

Description	Part Number	Surface Cover	Flush Cover	Reference
Body	W1035060-D	W103560-SC	W103560-FC	Figure 2
Coupling	W1035-CP			Figure 3
Divider	W35-DV			Figure 4
End Closure	W1035-EC			Figure 5
Junction Box Flange	W10WB			Figure 6
Inside 90°	W10-IS90	W10-ISSC	W10-ISFC	Figure 7
Inside Sweep 90°	W1035-ISW90	W1035-ISWSC	W1035-ISWFC	Figure 8
Outside 90°	W1035-OS90	W1035-OSSC	W1035-OSFC	Figure 9
Outside Sweep 90°	W1035-OSW90	W1035-OSWSC	W1035-OSWFC	Figure 10
Flat 90°	W1035-F90	W1035-FSC	W1035-FFC	Figure 11
Flat T	W1035-FT	W1035-FTSC	W1035-FTFC	Figure 12
Flat T Tunnel	W1035-FTun			-
Flat X	W1035-FX	W1035-FXSC	W1035-FXFC	Figure 13
Flat X Tunnel	W1035-FXTun			-
Flat 45°	W1035-F45	W1035-F45SC	W1035-F45FC	Figure 14
Inside 45°	W1035-IS45	W1035-IS45SC	W1035-IS45FC	Figure 15
Horizontal Floor Riser 90°	W1035-HFR-(L or R)	W1035-HFR-(L or R)-SC	W1035-HFR-(L or R)-FC	Figure 16
Flush to Surface Transition	W1035-FTSA			Figure 17
10" to 10" coupling	W0610A			Figure 18
10" to 18" coupling	W1018A			Figure 19
Grommet Material	Grommet			Figure 20
Grommeted Opening		W1035-GOSC	W1035-GOFC	Figure 21

10 inch Wall Duct Body

Model	W1035060-D
Description	10 inch steel wall duct body
Construction	14 Gauge A36 Galvanized steel (For Aluminium please specify P/N AW103560-D)
Finish	DuPont Imron 3.5 HG high gloss ASA-49 (Light Grey)
Hardware	No Mounting Hardware Included- to be determined in the field
Grounding	Grounding Lug included
Fill Capacity	7 inch ²
Dimensions	10" W x 3.5" H x 60" L
Weight	22 lbs
Approvals	ETL Listed to UL/cUL 870 file 100450372CRT-001a, NEC Article 376, NEC 517

Cover Options	Surface	Flush
Model	W103560-SC	W103560-FC
Description	Rabbetted Cover for surface mount 10 inch wall duct	Rabbetted Cover for flush mount 10 inch wall duct
Dimensions	10" W x 60" L	12" W x 60" L
Weight	12 lbs	14.4 lbs
Hardware	spring nuts, clips, pre-drilled holes, and mounting screws included	spring nuts, clips, pre-drilled holes, and mounting screws included

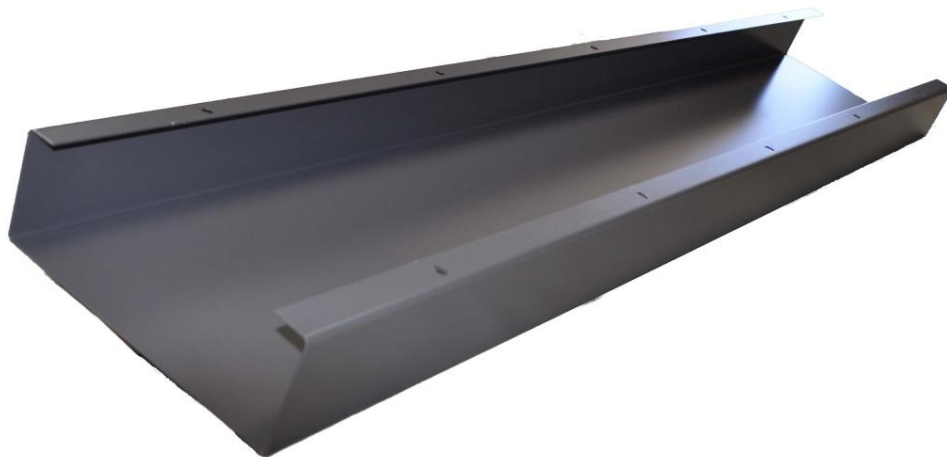


Figure 2: 10 inch Wall Duct Body

10 inch Wall Duct Coupling

Model	W1035-CP
Description	10 inch steel wall duct coupling used to connect 2 sections of 10 inch duct. 1 piece needed for every splice.
Construction	14 Gauge A36 Galvanized steel (For Aluminium please specify P/N AW1035-CP)
Finish	DuPont Imron 3.5 HG high gloss ASA-49 (Light Grey)
Hardware	Pre drilled holes and self tapping screws included
Dimensions	9.75" W x 3.25" H x 3.25" L
Weight	1.08 lb
Approvals	UL/cUL, NEC Article 376, NEC 517



Figure 3: 10 inch Wall Duct Coupling

3.5 inch Divider

Model	W35-DV
Description	3.5 inch divider used to separate power and signalling cables inside of the duct. Used to create multiple compartments inside of 1 piece of wireway.
Construction	14 Gauge A36 Galvanized steel (For Aluminium please specify P/N AW35-DV)
Finish	DuPont Imron 3.5 HG high gloss ASA-49 (Light Grey)
Hardware	Pre drilled holes and mounting hardware included
Dimensions	3" H x 60" L
Weight	4.4 lbs
Approvals	UL/cUL, NEC Article 376, NEC 517



Figure 4: Wall Duct Divider

10 inch End Closure

Model	W1035-EC
Description	10 inch steel wall duct end closure used to terminate wire duct
Construction	14 Gauge A36 Galvanized steel
Finish	DuPont Imron 3.5 HG high gloss ASA-49 (Light Grey)
Hardware	Pre drilled holes and mounting hardware included
Dimensions	10" W x 3.5" H x 3.5" L
Weight	1.77 lbs
Approvals	UL/cUL, NEC Article 376, NEC 517



Figure 5: 10 inch Wall Duct End Closure

10 inch Box Connector

Model	W1035-WB
Description	10 inch steel wall duct box connector (flange) generally used to terminate a wireway into a junction box
Construction	14 Gauge A36 Galvanized steel
Finish	DuPont Imron 3.5 HG high gloss ASA-49 (Light Grey)
Hardware	Pre drilled holes and mounting hardware included
Dimensions	10" W
Weight	0.82 lbs
Approvals	UL/cUL, NEC Article 376, NEC 517



Figure 6: 10 inch Wall Duct Junction Box Connector

10 inch Wall Duct Inside 90°

Model	W1035-IS90
Description	Inside 90 degree turn generally used to go inside a corner where 2 walls meet or transition from surface mounted floor duct to vertical wall duct.
Construction	14 Gauge A36 Galvanized steel
Finish	DuPont Imron 3.5 HG high gloss ASA-49 (Light Grey)
Hardware	No Mounting Hardware Included- to be determined in the field
Fill Capacity	7 inch ²
Dimensions	Duct dimensions 10" W x 3.5" H Outside Edge= 6" L c 6" L Inside Edge= 2.5" L x 2.5" L
Weight	4.56 lbs
Max Wire Gauge	2/0 due to 90° bend radius of fitting, if large wire gauge is needed use a sweep 90°
Approvals	UL/cUL, NEC Article 376, NEC 517

Cover Options	Surface	Flush
Model	W1035-ISSC	W1035-ISFC
Description	Rabbetted Cover for surface mount 10 inch inside 90° elbow	Rabbetted Cover for flush mount 10 inch inside 90° elbow
Dimensions	10" W x 2.5" L x 2.5" H	12" W x 2.5" L x 2.5" H
Weight	1 lb	1.2 lbs
Hardware	spring nuts, clips, pre-drilled holes, and mounting screws included	spring nuts, clips, pre-drilled holes, and mounting screws included



Figure 7: 10 inch Wall Duct Inside 90°

10 inch Wall Duct Inside Sweep 90⁰

Model	W1035-ISW90
Description	Inside 90 degree turn generally used to go inside a corner where 2 walls meet or transition from surface mounted floor duct to vertical wall duct. Used in applications where a larger bending radius is preferred.
Construction	14 Gauge A36 Galvanized steel
Finish	DuPont Imron 3.5 HG high gloss ASA-49 (Light Grey)
Hardware	No Mounting Hardware Included- to be determined in the field
Fill Capacity	7 inch ²
Dimensions	Duct dimensions 10" W x 3.5" H Outside Edge (height) = 6" L x 6"L
Weight	6.8 lbs
Max Wire Gauge	Not Applicable- Bending Radius does not exceed 45 ⁰
Approvals	UL/cUL, NEC Article 376, NEC 517

Cover Options	Surface	Flush
Model	W1035-ISWSC	W1035-ISWFC
Description	Rabbetted Cover for surface mount 10 inch sweep inside sweep 90 ⁰ elbow	Rabbetted Cover for flush mount 10 inch sweep inside sweep 90 ⁰ elbow
Dimensions	10" W x 2.5" x 3" x 2.5"	12" W x 2.5" x 3" x 2.5"
Weight	2.5 lbs	3 lbs
Hardware	spring nuts, clips, pre-drilled holes, and mounting screws included	spring nuts, clips, pre-drilled holes, and mounting screws included

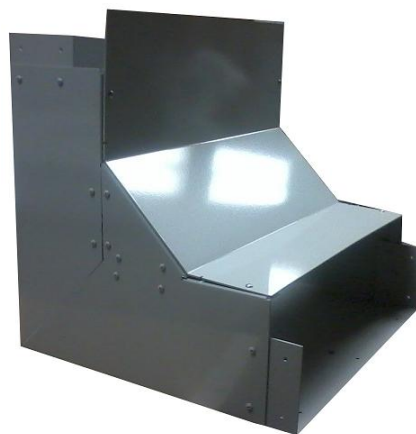


Figure 8: 10 inch Wall Duct Sweep Inside 90⁰

10 inch Wall Duct Outside 90°

Model	W1035-OS90
Description	Outside 90 degree turn generally used to go around a corner, pillar or other obstructing objects on the wall or above the ceiling.
Construction	14 Gauge A36 Galvanized steel
Finish	DuPont Imron 3.5 HG high gloss ASA-49 (Light Grey)
Hardware	No Mounting Hardware Included- to be determined in the field
Fill Capacity	7 inch ²
Dimensions	Duct dimensions 10" W x 3.5" H Outside Edge= 6" L x 6" L Inside Edge= 2.5" L x 2.5" L
Weight	4.56 lbs
Max Wire Gauge	2/0 due to 90° bend radius of fitting, if large wire gauge is needed use a sweep 90°
Approvals	UL/cUL, NEC Article 376, NEC 517

Cover Options	Surface	Flush
Model	W1035-OSSC	W1035-OSFC
Description	Rabbetted Cover for surface mount 10 inch outside 90° elbow	Rabbetted Cover for flush mount 10 inch outside 90° elbow
Dimensions	10" W x 6" L x 6" H	12" W x 6" L x 6" H
Weight	3.5 lbs	4 lbs
Hardware	spring nuts, clips, pre-drilled holes, and mounting screws included	spring nuts, clips, pre-drilled holes, and mounting screws included



Figure 9: 10 inch Wall Duct Outside 90°

10 inch Wall Duct Sweep Outside 90⁰

Model	W1035-OSW90
Description	Outside 90 degree turn generally used to go around a corner, pillar or other obstructing objects on the wall or above the ceiling. Used in applications where a larger bending radius is preferred.
Construction	14 Gauge A36 Galvanized steel
Finish	DuPont Imron 3.5 HG high gloss ASA-49 (Light Grey)
Hardware	No Mounting Hardware Included- to be determined in the field
Fill Capacity	7 inch ²
Dimensions	Duct dimensions 10" W x 3.5" H Outside Edge= 6" L x 6" L
Weight	4.8 lbs
Max Wire Gauge	Not Applicable- Bending Radius does not exceed 45 ⁰
Approvals	UL/cUL, NEC Article 376, NEC 517

Cover Options	Surface	Flush
Model	W1035-OSWFC	W1035-OSWFC
Description	Rabbetted Cover for surface mount 10 inch sweep outside sweep 90 ⁰ elbow	Rabbetted Cover for flush mount 10 inch sweep outside sweep 90 ⁰ elbow
Dimensions	10" W x 6" L x 6" H	12" W x 6" L x 6" H
Weight	2.4 lbs	2.88 lbs
Hardware	spring nuts, clips, pre-drilled holes, and mounting screws included	spring nuts, clips, pre-drilled holes, and mounting screws included

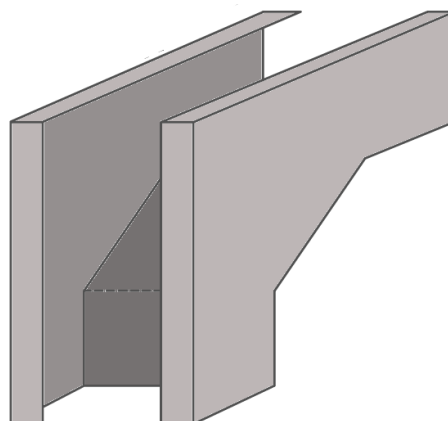


Figure 10: 10 inch Wall Duct Sweep Outside 90⁰

10 inch Wall Duct Flat 90⁰

Model	W1035-F90
Description	Flat (Horizontal) 90 degree turn generally used to transition from vertical to horizontal duct on the wall.
Construction	14 Gauge A36 Galvanized steel
Finish	DuPont Imron 3.5 HG high gloss ASA-49 (Light Grey)
Hardware	No Mounting Hardware Included- to be determined in the field
Fill Capacity	7 inch ²
Dimensions	Duct dimensions 10" W x 3.5" H Outside Edge= 12" L x 12" L Inside Edge= 2" L x 2" L
Weight	4.56 lbs
Approvals	UL/cUL, NEC Article 376, NEC 517

Cover Options	Surface	Flush
Model	W1035-FSC	W1035-FFC
Description	Rabbetted Cover for surface mount 10 inch flat 90° elbow	Rabbetted Cover for flush mount 10 inch flat 90° elbow
Dimensions	10" W x 12" L x 12" L	12" W x 12" L x 12" L
Weight	2.6 lbs	3.12 lbs
Hardware	spring nuts, clips, pre-drilled holes, and mounting screws included	spring nuts, clips, pre-drilled holes, and mounting screws included



Figure 11: 10 inch Wall Duct Flat 90°

10 inch Wall Duct Flat T

Model	W1035-FT
Description	Flat T generally used to extend duct vertically on a horizontal run of wireway.
Construction	14 Gauge A36 Galvanized steel
Finish	DuPont Imron 3.5 HG high gloss ASA-49 (Light Grey)
Hardware	No Mounting Hardware Included- to be determined in the field
Fill Capacity	7 inch ²
Dimensions	Duct dimensions 10" W x 3.5" H Long Edge= 14" L Short Edge= 12" L
Weight	5.32 lbs
Approvals	UL/cUL, NEC Article 376, NEC 517

Cover Options	Surface	Flush
Model	W1035-FTSC	W1035-FTFC
Description	Rabbetted Cover for surface mount 10 inch wall duct	Rabbetted Cover for flush mount 10 inch wall duct
Dimensions	10" W x 14" L x 12" L	12" W x 14" L x 13" L
Weight	3.2 lbs	3.8 lbs
Hardware	spring nuts, clips, pre-drilled holes, and mounting screws included	spring nuts, clips, pre-drilled holes, and mounting screws included
Optional Fittings	Divider Tunnel W1035-FTun	Divider Tunnel W1035-FTun



Figure 12: 10 inch Wall Duct Flat T

10 inch Wall Duct Flat X

Model	W1035-FX
Description	Flat X generally used to extend cross vertical and horizontal wireways.
Construction	14 Gauge A36 Galvanized steel
Finish	DuPont Imron 3.5 HG high gloss ASA-49 (Light Grey)
Hardware	No Mounting Hardware Included- to be determined in the field
Fill Capacity	7 inch ²
Dimensions	Duct dimensions 10" W x 3.5" H Long Edge= 14" L Short Edge= 14" L
Weight	5.04 lbs
Approvals	UL/cUL, NEC Article 376, NEC 517

Cover Options	Surface	Flush
Model	W1035-FXSC	W1035-FXFC
Description	Rabbetted Cover for surface mount 10 inch flat X	Rabbetted Cover for flush mount 10 inch flat X
Dimensions	10" W x 14" L x 12" L	12" W x 14" L x 13" L
Weight	3.0 lbs	3.6 lbs
Hardware	spring nuts, clips, pre-drilled holes, and mounting screws included	spring nuts, clips, pre-drilled holes, and mounting screws included
Optional Fittings	Divider Tunnel W1035-FXTun	Divider Tunnel W1035-FXTun

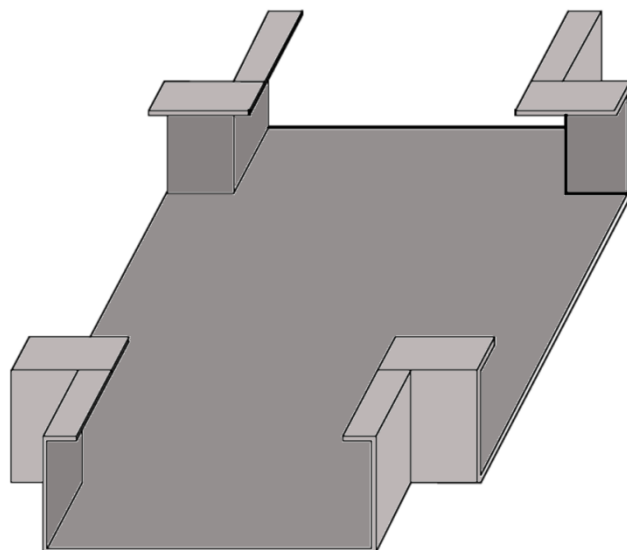


Figure 13: 10 inch Wall Duct Flat X

10 inch Wall Duct Flat 45°

Model	W1035-F45
Description	Flat (Horizontal) 45 degree turn generally used in surface mount floor duct applications.
Construction	14 Gauge A36 Galvanized steel
Finish	DuPont Imron 3.5 HG high gloss ASA-49 (Light Grey)
Hardware	No Mounting Hardware Included- to be determined in the field
Fill Capacity	7 inch ²
Dimensions	Duct dimensions 10" W x 3.5" H Outside Edge= 8" L (F, D) Inside Edge= 4" L (A, G)
Weight	4.1 lbs
Max Wire Gauge	Not Applicable- Bending Radius does not exceed 45°
Approvals	UL/cUL, NEC Article 376, NEC 517

Cover Options	Surface	Flush
Model	W1035-F45SC	W1035-F45FC
Description	Rabbetted Cover for surface mount 10 inch flat 45° elbow	Rabbetted Cover for flush mount 10 inch flat 45° elbow
Dimensions	10" W x 8" L x 8" L	10" W x 8" L x 8" L
Weight	1.9 lbs	2.1 lbs
Hardware	spring nuts, clips, pre-drilled holes, and mounting screws included	spring nuts, clips, pre-drilled holes, and mounting screws included

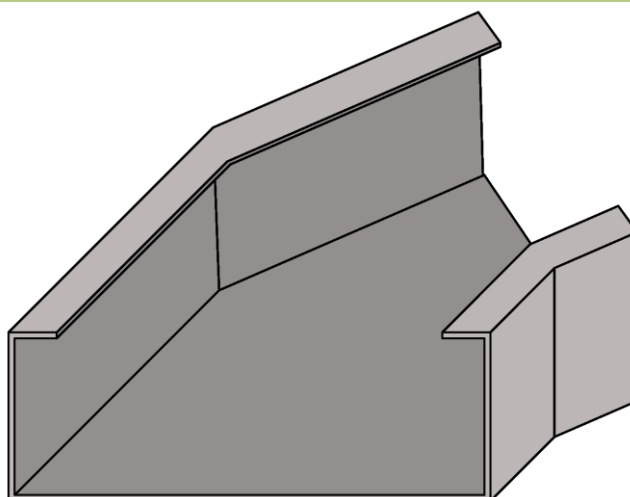


Figure 14: 10 inch Wall Duct Flat 45°

10 inch Wall Duct Inside 45⁰

Model	W1035-IS45
Description	Inside 45 degree turn generally used above the ceiling to route wires around difficult obstructing objects.
Construction	14 Gauge A36 Galvanized steel
Finish	DuPont Imron 3.5 HG high gloss ASA-49 (Light Grey)
Hardware	No Mounting Hardware Included- to be determined in the field
Fill Capacity	7 inch ²
Dimensions	Duct dimensions 10" W x 3.5" H Outside Edge= 12" L x 12" L Inside Edge= 2.5" L (F, J)
Weight	4.8 lbs
Max Wire Gauge	Not Applicable- Bending Radius does not exceed 45 ⁰
Approvals	UL/cUL, NEC Article 376, NEC 517

Cover Options	Surface	Flush
Model	W1035-IS45SC	W1035-IS45FC
Description	Rabbetted Cover for surface mount 10 inch wall duct	Rabbetted Cover for flush mount 10 inch wall duct
Dimensions	10" W x 2.5" L x 2.5" H	12" W x 2.5" L x 2.5" H
Weight	1.52 lb	1.88 lbs
Hardware	spring nuts, clips, pre-drilled holes, and mounting screws included	spring nuts, clips, pre-drilled holes, and mounting screws included

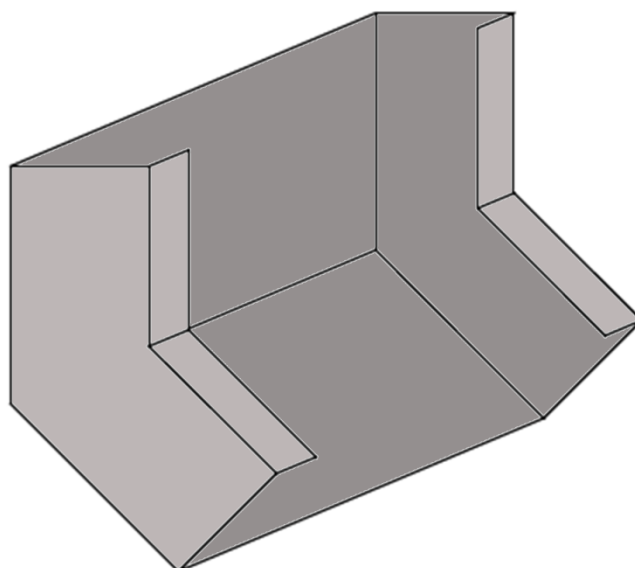


Figure 15: 10 inch Wall Duct Inside 45⁰

10 inch Wall Duct Horizontal Floor Riser 90⁰

Model	W1035-HFR-(R or L) left or right
Description	Horizontal floor riser generally used to transition from surface floor duct to horizontal wall duct.
Construction	14 Gauge A36 Galvanized steel
Finish	DuPont Imron 3.5 HG high gloss ASA-49 (Light Grey)
Hardware	No Mounting Hardware Included- to be determined in the field
Fill Capacity	7 inch ²
Dimensions	Duct dimensions 10" W x 3.5" H
Weight	9.12 lbs
Max Wire Gauge	2/0 due to 90 ⁰ bend radius of fitting, if large wire gauge is needed use a sweep 90 ⁰
Approvals	UL/cUL, NEC Article 376, NEC 517

Cover Options	Surface	Flush
Model	W1035-HFR-(L or R)-SC	W1035-HFR-(L or R)-FC
Description	Rabbetted Cover for surface mount 10 inch horizontal floor riser	Rabbetted Cover for flush mount 10 inch horizontal floor riser
Dimensions	10" W x 12" L	12" W x12" L
Weight	4.0 lb	4.2 lbs
Hardware	spring nuts, clips, pre-drilled holes, and mounting screws included	spring nuts, clips, pre-drilled holes, and mounting screws included



Figure 16: 10 inch Horizontal Floor Riser

10 inch Wall Duct Flush to surface transition

Model	W1035-FTSA
Description	A 2 foot section of wall duct with a grommated opening in the back side. Used to couple a flush mounted duct to a surface mounted duct (overlapping). Typically used to connect a horizontal surface duct to a vertical flush duct.
Construction	14 Gauge A36 Galvanized steel
Finish	DuPont Imron 3.5 HG high gloss ASA-49 (Light Grey)
Hardware	No Mounting Hardware Included- to be determined in the field
Fill Capacity	7 inch ²
Weight	13.92 lbs
Approvals	UL/cUL, NEC Article 376, NEC 517
Cover	Includes surface mounted cover



Figure 17: 10 inch Flush to surface transition

6 inch to 10 inch Wall Duct Coupling

Model	W0610A
Description	wall duct coupling used to connect 6 inch duct to 10 inch duct. 1 piece needed for every splice.
Construction	14 Gauge A36 Galvanized steel (For Aluminium please specify P/N AW0635-CP)
Finish	DuPont Imron 3.5 HG high gloss ASA-49 (Light Grey)
Hardware	Pre drilled holes and self tapping screws included
Dimensions	5.75" W x 3.25" H x 3.25" L
Weight	1.83 lb
Approvals	UL/cUL, NEC Article 376, NEC 517

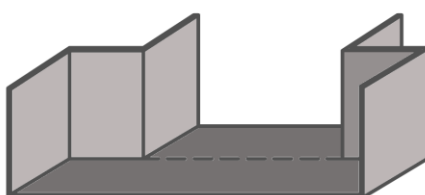


Figure 18: 6 inch to 10 inch Wall Duct Coupling

10 inch to 18 inch Wall Duct Coupling

Model	W1018A
Description	wall duct coupling used to connect 10 inch duct to 18 inch duct. 1 piece needed for every splice.
Construction	14 Gauge A36 Galvanized steel (For Aluminium please specify P/N AW0635-CP)
Finish	DuPont Imron 3.5 HG high gloss ASA-49 (Light Grey)
Hardware	Pre drilled holes and self tapping screws included
Dimensions	5.75" W x 3.25" H x 3.25" L
Weight	1.83 lb
Approvals	UL/cUL, NEC Article 376, NEC 517

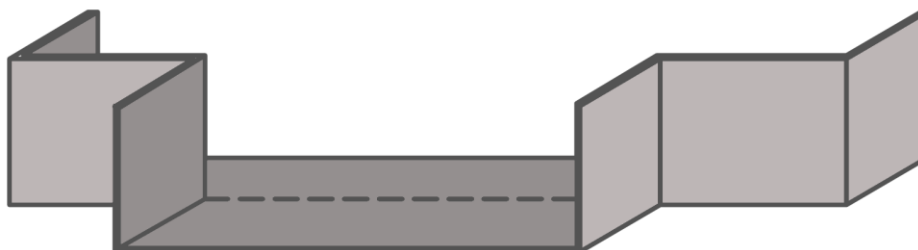


Figure 19: 10 inch to 18 inch Wall Duct Coupling

Grommet Material

Model	Grommet
Description	Rubber reinforced with an aluminium insert used to protect the cabling when field modifications have been made to the wire duct.
Construction	
Dimensions	20' L x .5" H



Figure 20: Grommet Material

10 inch Wall Duct Grommet Opening Cover

Model	See Below
Description	Split cover plate with grommetted opening used to extend cabling outside of the wire duct without concerns of damaging the cabling
Construction	14 Gauge A36 Galvanized steel
Approvals	UL/cUL, NEC Article 376, NEC 517

Cover Options	Surface	Flush
Model	W1035-GOSC	W1035-GOFC
Description	Rabbetted Cover for surface mount 10 inch sweep inside sweep 90° elbow	Rabbetted Cover for flush mount 10 inch sweep inside sweep 90° elbow
Dimensions	10" W x 60" L	12" W x 60" L
Weight	12 lbs	14.4 lbs
Hardware	spring nuts, clips, pre-drilled holes, and mounting screws included	spring nuts, clips, pre-drilled holes, and mounting screws included

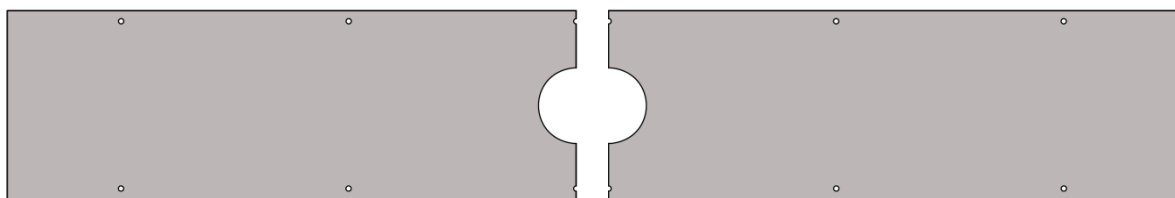


Figure 21: 10 inch Grommetted Opening Cover Plate

4. Packaging

Materials are packaged with the information necessary to expedite the delivery to the correct person, in the correct room, and in the correct location. All items are individually labelled with Drawing reference notes.

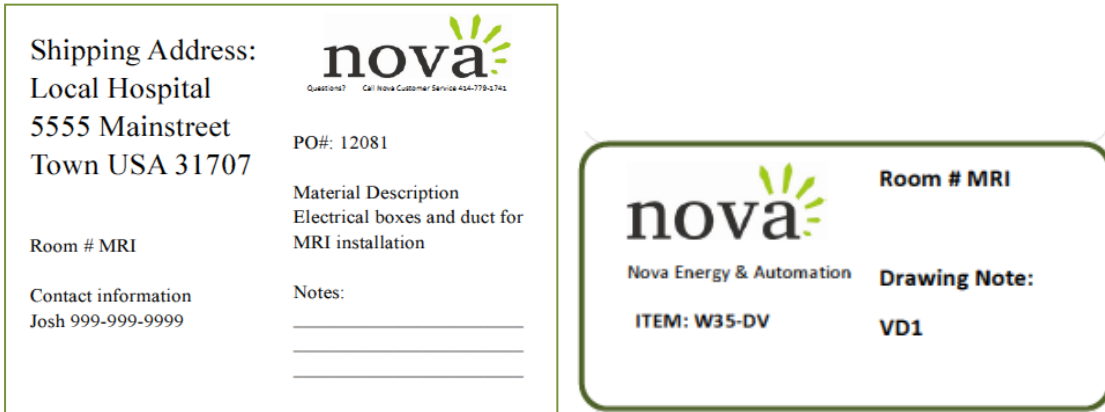


Figure 22: Sample Labels (Pallet and Component)

5. Additional Options

MRI

Wire Duct can be specified as aluminium/non-ferrous by adding an A prefix to the model number.

EX AW1035-OS90

Custom Finish

Please specify DuPont color code if alternative finishes are desired.

Custom Fabrication: Size, Fittings, Angels, Gaskets, Locks, Etc.

Please see related document: custom wall duct fabrication.

6. Product Service and Technical Assistance

Nova Automation, LLC
2722 N. Avondale Blvd
Milwaukee WI 53210
PH# 262-309-2950
Website: www.NovaAutomation.net

7. Warranty

This limited warranty set forth below is given by Nova Automation (“Seller”) with respect to the electrical equipment (“Product”) packaged with this limited warranty. The Product, when delivered to you in new condition in its original packaging, is warranted against defects in materials or workmanship as follows: For a period of three (3) years from the date of original purchase, defective parts or a defective Product returned to a Seller, or its authorized service providers, as applicable, and proven to be defective upon inspection, will be repaired, or exchanged for a new Product, as determined by the Seller, or the authorized service provider.

This limited warranty covers all defects encountered in normal use of the Product, and does not apply in the following cases: Loss of or damage to the Product due to abuse, mishandling, alteration, accident, electrical current fluctuations, failure to follow operating, maintenance or environmental instructions prescribed by Seller, failure to follow Sellers installation instructions, or service performed by someone other than Seller or its authorized service provider.

Nova assumes no responsibility for labor or freight costs incurred in connection with the installation, removal, or replacement of products determined to be defective or any consequential or incidental damages arising from the use of the product. Nova Automations entire liability on any claim of loss or damage resulting from a defective product is limited to the replacement of the product.

WARRANTY IS VOID IF PRODUCT IS NOT USED FOR THE PURPOSE FOR WHICH IT WAS MANUFACTURED.

8. Approvals

Prepared By _____

([Job Title])

This document requires the following approvals

Approved By _____

([Job Title])

([Job Title])

Approval Date _____