

NOVA Energy & Automation



## Product Specifications

# Room Light and Warning Light Control Cabinet

Model NEAS-RB024A-ERWA

A 3D perspective rendering of a control cabinet. The cabinet is shown in a dark blue color with a metallic finish. It has a rectangular shape with a slightly recessed front panel. The rendering shows the cabinet from a low angle, highlighting its depth and the shadows cast by its edges. The background is a light, neutral color.

03 January 2012

# Product Description

## 1. Standard Applications

The Nova NEAS-RB024A-ERWA is an integrated lighting controller designed to meet the hospital-grade lighting power requirements of medical imaging suites. The low voltage control panel provides a safe, low voltage interface between the imaging equipment, warning lights, room lights, operator's control, and room line voltage.

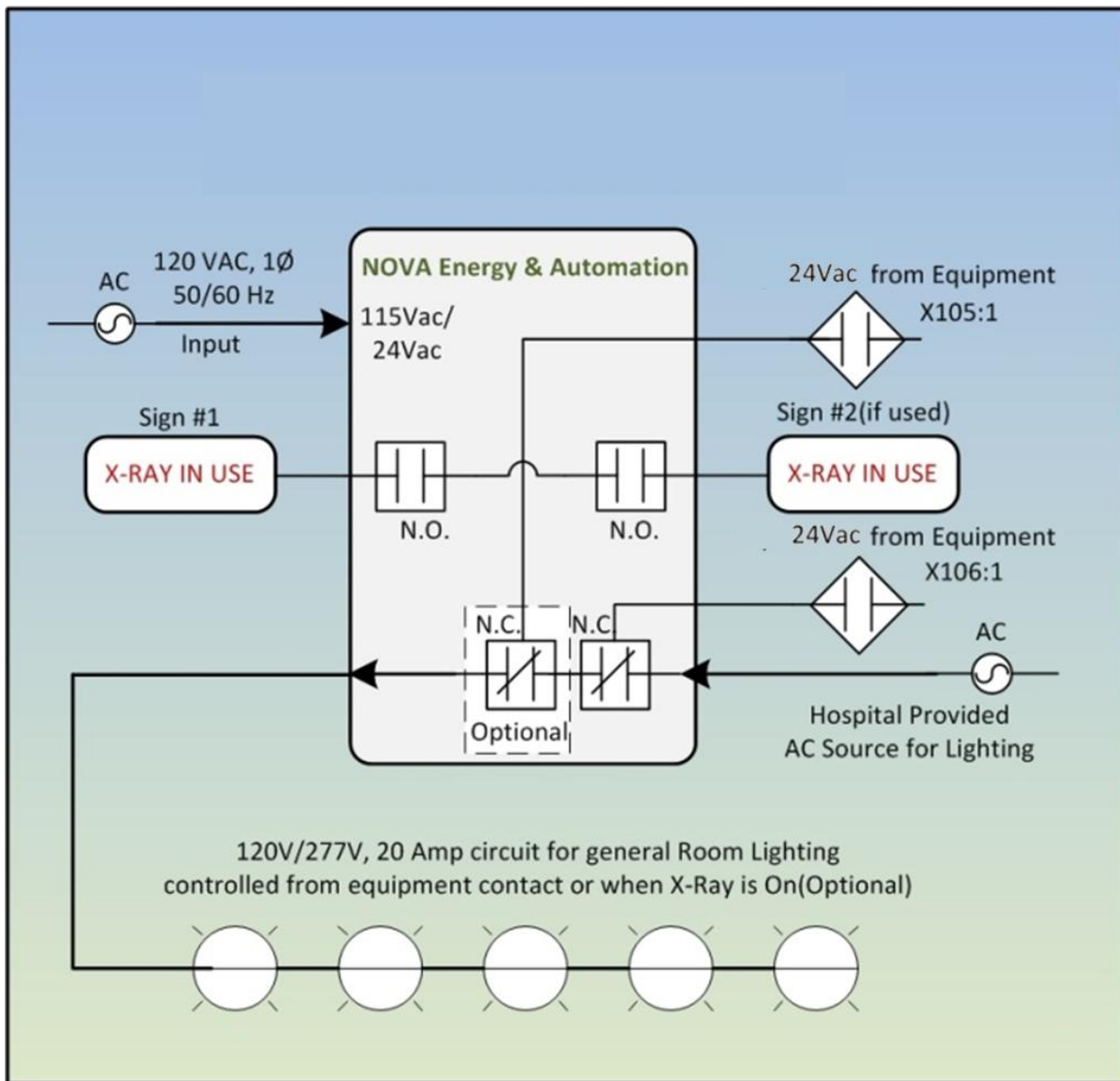


Figure 1 Nova Warning & Room Light Controller Application Diagram

## 2. System Compatibility

The Nova NEAS-RB024A-ERWA is compatible with the following medical imaging equipment:

Siemens Medical Systems Radroom Axiom and several other related installations

## 3. Identification

Siemens Medical- The proper panel can be identified on Siemens Medical Construction Drawings: sheet E-101 → Note 1: Auxiliary Wiring → Lighting and door switch schematic.  
Equal to relay box with related components

## 4. Features/ Benefits

### Features

- Integrated design provides all of the lighting controls into an easy to configure panel
- Configurable to operate with or without Philips foot pedal switch
- Utilizes heavy duty contacts to handle room light currents.
- Controls up to 2 separate warning lights
- UL and cUL listed to conform to NEC.
- Labeled to conform to NFPA99, NFPA-70.
- Provides a fixed junction point for the lighting system
- Compact size for easy installation
- Short circuit and overload protection
- Thermal protection
- No minimum load required
- Factory wired and tested.

### Benefits

- Reduced weight- all components are within a small 20lb enclosure
- Eliminated the multiple lighting control systems
- Reduces installation time and cost by eliminating delays in obtaining individually enclosed components and by eliminating on site assembly.
- Provides a standardized platform for other future modifications or upgrades.

## 5. Specifications

<b>Model</b>	NEAS-RB024A-ERWA
<b>Application</b>	Warning Light and room light controls for medical imaging equipment
<b>Input Voltage</b>	110VAC
<b>Input Current</b>	AC input (maximum): 12 A
<b>Control Voltage</b>	Externally Supplied 24VAC for controls
<b>Maximum Room Lighting Load</b>	20 Amps
<b>Maximum Warning Light Load</b>	20 Amps
<b>Warning Light Controls</b>	Compatible with up to 2 warning lights , LED or incandescent
<b>Room Lighting Voltage</b>	120/240/277VAC
<b>Foot Pedal Switch</b>	Integrated controls for foot pedal switch, (foot pedal if needed sold separately)
<b>Approvals</b>	UL/cUL

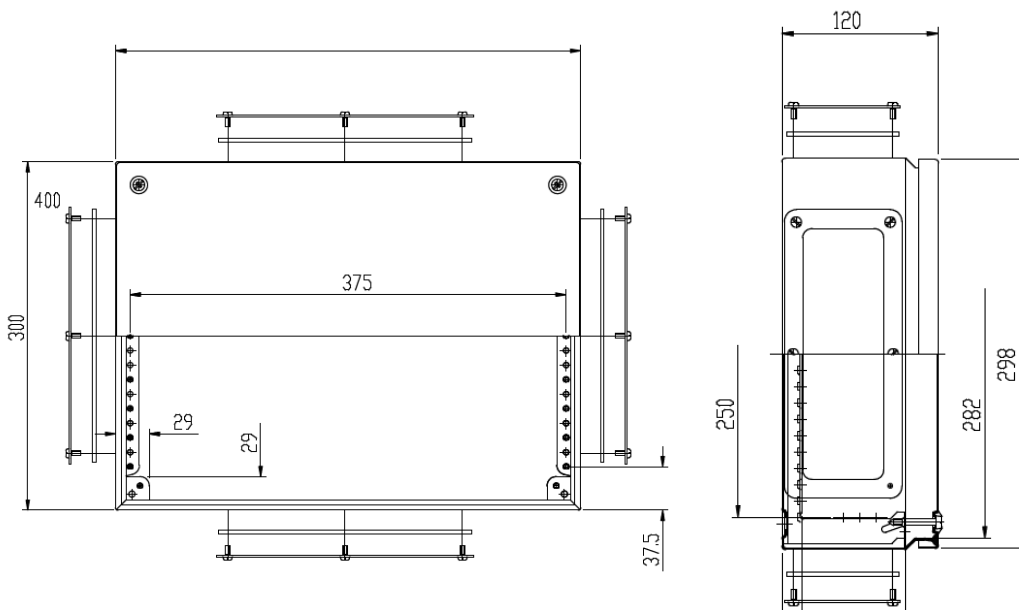
## 6. Weights and Dimensions

<b>Mounting</b>	Warning and Room Lighting Controller is provided in a steel enclosure suitable for surface, wall or above the ceiling mounting.
<b>Dimensions</b>	Height: 12" (300mm) Width:8" (200mm) Depth: 6" (150mm)
<b>Weight</b>	21 lbs. (9.5 kg)
<b>Mounting</b>	Rear wall mounting holes (4). Spaced 0.79" (20mm) from enclosure edge. Optional mounting brackets are available
<b>Enclosure</b>	16 Gauge Carbon Steel, all rounded corners 1 gland plate in the enclosure base.
<b>Enclosure Sealing</b>	Foamed-in place polyurethane door gasket
<b>Finish</b>	Dip coat primed, powder coated in textured RAL 7035
<b>Cover</b>	Screw type cover
<b>Interior Panel</b>	Zinc-Plated subpanel
<b>Protection Category</b>	IP 66 to EN60 529/09:2000, complies with NEMA 4 Enclosure Approvals: UL, CSA, TUV, GL, Lloyds, VDE, Bureau Veritas



**Figure 3 Nova Lighting Controller- Outside**

All four sides have removable gland plates for easy mounting of conduit fittings.



**Figure 4 Enclosure Dimensions (mm): Outside, Depth**

## 7. Warranty

This limited warranty set forth below is given by Nova Automation (“Seller”) with respect to the electrical equipment (“Product”) packaged with this limited warranty. The Product, when delivered to you in new condition in its original packaging, is warranted against defects in materials or workmanship as follows: For a period of one (1) year from the date of original purchase, defective parts or a defective Product returned to a Seller, or its authorized service providers, as applicable,

and proven to be defective upon inspection, will be repaired, or exchanged for a new Product, as determined by the Seller, or the authorized service provider.

This limited warranty covers all defects encountered in normal use of the Product, and does not apply in the following cases: Loss of or damage to the Product due to abuse, mishandling, alteration, accident, electrical current fluctuations, failure to follow operating, maintenance or environmental instructions prescribed by Seller, failure to follow Sellers installation instructions, or service performed by someone other than Seller or its authorized service provider.

Nova assumes no responsibility for labor or freight costs incurred in connection with the installation, removal, or replacement of products determined to be defective or any consequential or incidental damages arising from the use of the product. Nova Automations entire liability on any claim of loss or damage resulting from a defective product is limited to the replacement of the product.

WARRANTY IS VOID IF PRODUCT IS NOT USED FOR THE PURPOSE FOR WHICH IT WAS MANUFACTURED.

## 8. Product Service and Technical Assistance

Nova Automation, LLC  
2722 N. Avondale Blvd  
Milwaukee WI 53210  
PH# 262-309-2950  
Website: [www.NovaAutomation.net](http://www.NovaAutomation.net)

## 9. Approvals

**Prepared By** \_\_\_\_\_  
([Job Title])

This document requires the following approvals

**Approved By** \_\_\_\_\_  
([Job Title])

\_\_\_\_\_  
([Job Title])

**Approval Date** \_\_\_\_\_