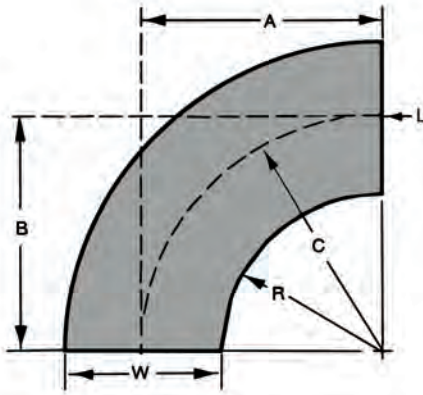


### 90° Horizontal Bend (All except I6 & I8)



Sample Catalog No.  
(Prefix + Basic)

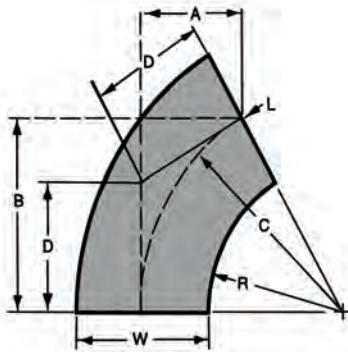
**ALYA- 36H90-24**

Husky Ladder—Flange In  
36"W x 24"R  
90° Horizontal Bend

Catalog No.				Fitting Dimensions			
Width	Radius	Prefix	Basic	A	B	C	L
36	36	See Tables on Pages 110-113	36H90-36	54	54	54	84-13/16
	24		36H90-24	42	42	42	66
	12		36H90-12	30	30	30	47-1/8
30	36		30H90-36	51	51	51	80-1/8
	24		30H90-24	39	39	39	61-1/4
	12		30H90-12	27	27	27	42-7/16
24	36		24H90-36	48	48	48	75-7/16
	24		24H90-24	36	36	36	56-9/16
	12		24H90-12	24	24	24	37-11/16
18	36		18H90-36	45	45	45	70-11/16
	24	18H90-24	33	33	33	51-13/16	
	12	18H90-12	21	21	21	33	
12	36	12H90-36	42	42	42	66	
	24	12H90-24	30	30	30	47-1/8	
	12	12H90-12	18	18	18	28-1/4	
9	36	9H90-36	40-1/2	40-1/2	40-1/2	63-5/8	
	24	9H90-24	28-1/2	28-1/2	28-1/2	44-3/4	
	12	9H90-12	16-1/2	16-1/2	16-1/2	25-7/8	
6	36	6H90-36	39	39	39	61-1/4	
	24	6H90-24	27	27	27	42-3/4	
	12	6H90-12	15	15	15	23-9/16	

Note: Chart based on standard fittings without tangents. Contact factory for fittings with tangents.

### 60° Horizontal Bend (All except I6 & I8)



Sample Catalog No.  
(Prefix + Basic)

**ALE- 36H60-24**

Husky Ladder—Flange Out  
36"W x 24"R  
60° Horizontal Bend

Catalog No.				Fitting Dimensions				
Width	Radius	Prefix	Basic	A	B	C	D	L
36	36	See Tables on Pages 110-113	36H60-36	27	46-3/4	54	31-3/16	56-9/16
	24		36H60-24	21	36-3/8	42	24-1/4	44
	12		36H60-12	15	26	30	17-5/16	31-7/16
30	36		30H60-36	25-1/2	44-3/16	51	29-7/16	53-3/8
	24		30H60-24	19-1/2	33-3/4	39	22-1/2	40-13/16
	12		30H60-12	13-1/2	23-3/8	27	15-9/16	28-1/4
24	36		24H60-36	24	41-9/16	48	27-11/16	50-1/4
	24		24H60-24	18	31-3/16	36	20-13/16	37-11/16
	12		24H60-12	12	20-3/4	24	13-7/8	25-1/8
18	36		18H60-36	22-1/2	39	45	26	47-1/8
	24	18H60-24	16-1/2	28-9/16	33	19-1/16	34-9/16	
	12	18H60-12	10-1/2	18-3/16	21	12-1/8	22	
12	36	12H60-36	21	36-3/8	42	24-1/4	44	
	24	12H60-24	15	26	30	17-5/16	31-7/16	
	12	12H60-12	9	15-9/16	18	10-3/8	18-7/8	
9	36	9H60-36	20-1/4	36-1/16	40-1/2	23-3/8	42-3/8	
	24	9H60-24	14-1/4	24-11/16	28-1/2	16-7/16	29-13/16	
	12	9H60-12	8-1/4	14-5/16	16-1/2	9-1/2	17-1/4	
6	36	6H60-36	19-1/2	33-3/4	39	22-1/2	40-13/16	
	24	6H60-24	13-1/2	23-3/8	27	15-9/16	28-1/4	
	12	6H60-12	7-1/2	13	15	8-11/16	15-11/16	

Note: Chart based on standard fittings without tangents. Contact factory for fittings with tangents.