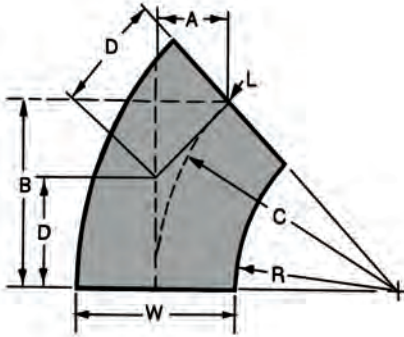


### 45° Horizontal Bend (All except I6 & I8)



Sample Catalog No.  
(Prefix + Basic)

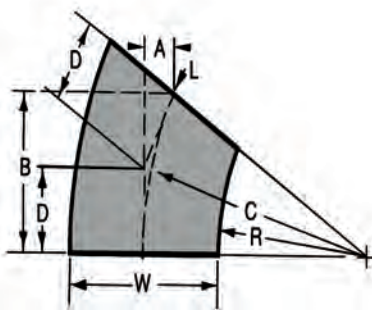
**SLM- 30H45-36**

Husky Ladder—Flange In  
30"W x 36"R  
45° Horizontal Bend

Note: Chart based on standard fittings without tangents. Contact factory for fittings with tangents.

Catalog No.				Fitting Dimensions				
Width	Radius	Prefix	Basic	A	B	C	D	L
36	36	See Tables on Pages 110-113	36H45-36	27	46-3/4	54	31-3/16	56-9/16
	24		36H45-24	21	36-3/8	42	24-1/4	44
	12		36H45-12	15	26	30	17-5/16	31-7/16
30	36		30H45-36	25-1/2	44-3/16	51	29-7/16	53-3/8
	24		30H45-24	19-1/2	33-3/4	39	22-1/2	40-13/16
	12		30H45-12	13-1/2	23-3/8	27	15-9/16	28-1/4
24	36		24H45-36	24	41-9/16	48	27-11/16	50-1/4
	24		24H45-24	18	31-3/16	36	20-13/16	37-11/16
	12		24H45-12	12	20-3/4	24	13-7/8	25-1/8
18	36		18H45-36	22-1/2	39	45	26	47-1/8
	24	18H45-24	16-1/2	28-9/16	33	19-1/16	34-9/16	
	12	18H45-12	10-1/2	18-3/16	21	12-1/8	22	
12	36	12H45-36	21	36-3/8	42	24-1/4	44	
	24	12H45-24	15	26	30	17-5/16	31-7/16	
	12	12H45-12	9	15-9/16	18	10-3/8	18-7/8	
9	36	9H45-36	20-1/4	36-1/16	40-1/2	23-3/8	42-3/8	
	24	9H45-24	14-1/4	24-11/16	28-1/2	16-7/16	29-13/16	
	12	9H45-12	8-1/4	14-5/16	16-1/2	9-1/2	17-1/4	
6	36	6H45-36	19-1/2	33-3/4	39	22-1/2	40-13/16	
	24	6H45-24	13-1/2	23-3/8	27	15-9/16	28-1/4	
	12	6H45-12	7-1/2	13	15	8-11/16	15-11/16	

### 30° Horizontal Bend (All except I6 & I8)



Sample Catalog No.  
(Prefix + Basic)

**ALBB- 18H30-24**

Husky Ladder—Flange Out  
18"W x 24"R  
30° Horizontal Bend

Note: Chart based on standard fittings without tangents. Contact factory for fittings with tangents.

Catalog No.				Fitting Dimensions				
Width	Radius	Prefix	Basic	A	B	C	D	L
36	36	See Tables on Pages 110-113	36H30-36	7-1/4	27	54	14-1/2	28-1/4
	24		36H30-24	5-5/8	21	42	11-1/4	22
	12		36H30-12	4	15	30	8	15-11/16
30	36		30H30-36	6-13/16	25-1/2	51	13-11/16	26-3/4
	24		30H30-24	5-1/4	19-1/2	39	10-7/16	20-7/16
	12		30H30-12	3-5/8	13-1/2	27	7-1/4	14-1/8
24	36		24H30-36	6-7/16	24	48	12-7/8	25-1/8
	24		24H30-24	4-13/16	18	36	9-5/8	18-7/8
	12		24H30-12	3-3/16	12	24	6-7/16	12-9/16
18	36		18H30-36	6	22-1/2	45	12-1/16	23-9/16
	24	18H30-24	4-7/16	16-1/2	33	8-13/16	17-1/4	
	12	18H30-12	2-13/16	10-1/2	21	5-5/8	11	
12	36	12H30-36	5-5/8	21	42	11-1/4	22	
	24	12H30-24	4	15	30	8-1/16	15-11/16	
	12	12H30-12	2-7/16	9	18	4-13/16	9-7/16	
9	36	9H30-36	5-7/16	20-1/4	40-1/2	10-7/8	21-1/4	
	24	9H30-24	3-13/16	14-1/4	28-1/2	7-5/8	14-7/8	
	12	9H30-12	2-3/16	8-1/4	16-1/2	4-7/16	8-5/8	
6	36	6H30-36	5-1/4	19-1/2	39	10-7/16	20-7/8	
	24	6H30-24	3-5/8	13-1/2	27	7-1/4	14-1/8	
	12	6H30-12	2	7-1/2	15	4	7-7/8	