

Nova Energy MRI/Imaging Suite Lighting Systems

MaxLumen MRI 2'x2' LED Flat Panel

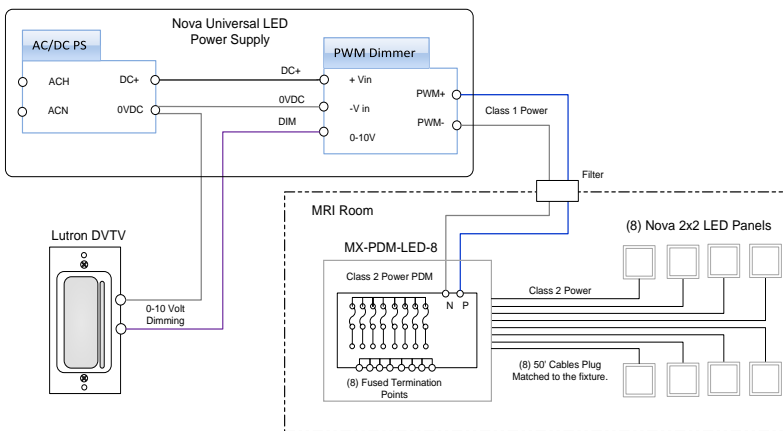
The Nova MRI LED Flat Panel Lighting System is a packaged lighting system which integrates LED Flat Panels, LED Power Distribution, Main Power Supply, Dimming Controls and Shielded Cables into one plug-n-play installation. It is Ideal for medical imaging installations because it is a complete, end-to-end tested system.

The Nova 8 Panel MRI Lighting System is a prescribed solution for lighting of a typical MRI Room of approximate size 20' x 27' providing 50 lumens per square foot with 0-100% dimming. The Nova Imaging Suite Lighting System exceeds the standard lighting requirements set forth by the VA MRI design guide by 40%. Optional features include Emergency lighting, Wall Sconces, 6" Can Lights, Color Changing Ambient Cove Lights, and Multiple Zones.

The MaxLumen Imaging Suite Control System uses a unique mix of class I and class II power to provide a reliable, MRI compliant, system which is easy to install. The Imaging Suite Control System allows the maximum amount of fixtures to be connected through one MRI filter using Class I Power. Once inside of the MRI room, the Power Distribution Module converts the power into inherently safe Class II power to allow all of the wiring inside of the MRI room to be completed without the use of conduit, and with the provided preterminated shielded MRI cables.



The MRI flat panel system integrates a properly sized power supply, 1-100% PWM dimmer and Power Distribution Module for up to 8 MRI LED Flat Panels.



PROJECT NAME
CATALOG NUMBER
NOTES
FIXTURE TYPE

FEATURES:

- Lumens: 3370
- Watts: 36
- MRI compatible
- 100,000 hour life (L70)
- 9.25 lbs.
- Superior 0-100% dimming
- Five year warranty
- CRI: >80
- System power supply, dimming switch, power distribution box, and shielded MRI cables comes standard
- LM-79 test data available
- Optional Emergency Lighting Circuit provides battery backup power to 2 fixtures during a power failure
- Also available with 6" MRI Can Lights, MRI Wall Sconces, and Color Changing Ambient Cove Lights.

LUMINAIRE CONSTRUCTION:

- The housing and back panel are aluminum, providing heat sink and thermal control capabilities
- Lens is translucent white polycarbonate
- Thin profile of just a half-inch
- Unique mounting gives flush-fit in drop ceilings

Luminaire Ordering Information:

Typical Part Number Example: **MXLumen22-E-36-41-MRI** (most commonly specified product listed)

CLASS	SIZE	OPTICS	WATTAGE	COLOR	FINISH	OPTIONS	OPTIONS
MXLumen	22 = 2'x2'	E = Edge Lit	36 = 36Watt	35 = 3500K 41 = 4100K	Blank= White Standard	MR = MRI Compliant	EM = Emergency Light

Installation instructions, LM-79 testing and IES files are available



Nova Energy MRI/Imaging Suite Lighting Systems

MaxLumen MRI 2'x2' LED Flat Panel

SPECIFICATIONS:

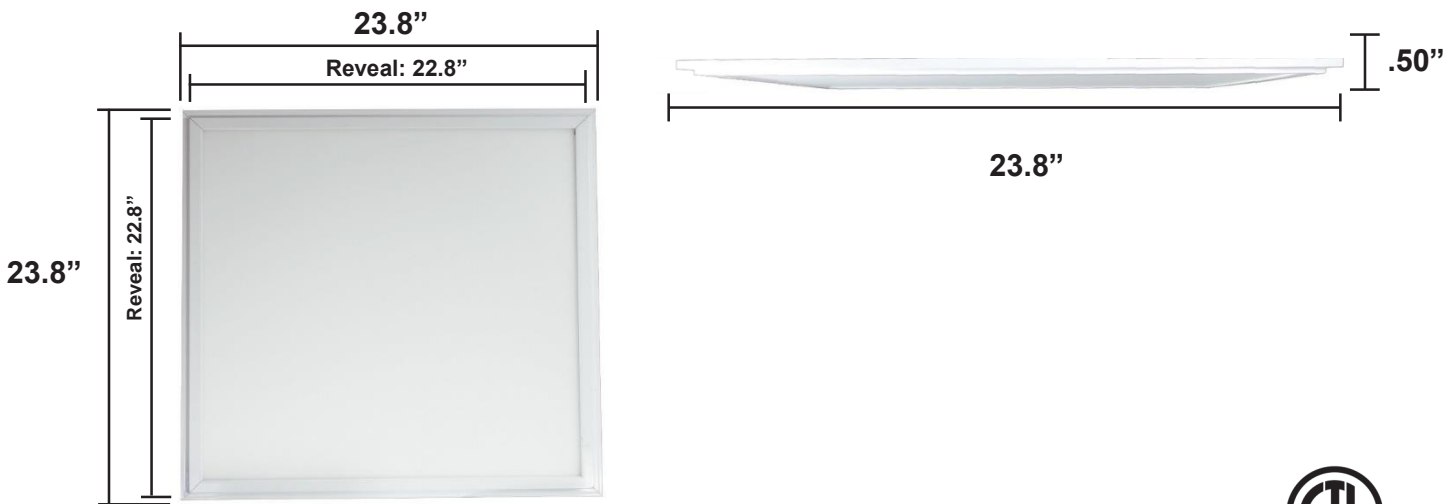
Item	Specification	Details
General Performance	Spacing Criteria	Available upon request
	Color Temperature	3500K, 4100K
	Lumens	3300, 3370
	Efficacy	92-94 lm/W
	Color Consistency	Proprietary binning for uniform color
	Lumen Maintenance (L70)	100,000 hours
Electrical	Power Factor	Over 92%
	Input Voltage	120V-277V 50/60 Hz
	Power Consumption	36 watts
Control	Dimming	0-100% PWM Dimming
	Cable Length	50 feet per fixture with connectors
	Dimensions	23.8" x 23.8" x .50"
Physical	Weight	9.25 lbs.
	Housing	Aluminum
	Optics	Light refraction/acrylic diffusion
	Mounting	Fits standard grid for drop ceilings
	Operating Temperature	-30°F to 122°F
	Humidity	20% - 85% RH, non condensing
Certification	Certification	cULus, FCC, LM79, LM80, ETL, cETL
	Material Usage	RoHS compliant; no mercury
	Environment	Indoor use
	LED Class	L70 rated to 100,000 hours

ROOM CONTROL: When all the units in the MRI suite are connected, one wall control will dim up to eight panels in the MRI room.

MRI SYSTEM: The MRI system is made from non-ferrous materials and therefore should not be used with accessories not specified for flat panel applications. Please contact your Nova Sales Engineer if you have any questions regarding your specific application.

Lighting layouts and spacing criteria are available upon request

DIMENSIONS:



Installation instructions, LM-79 testing and IES files are available online



Nova Energy MRI/Imaging Suite Lighting Systems

MaxLumen MRI 2'x2' LED Flat Panel

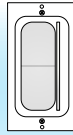
Lighting System Components

The Lighting System Power Supply, Dimmer, Power Distribution, and cables come standard when the Nova MRI light fixture is specified.

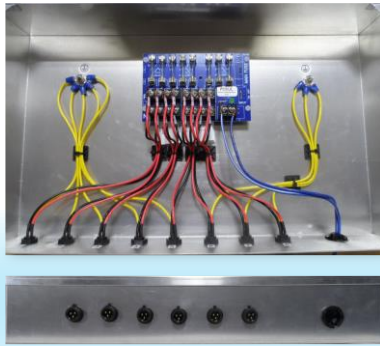
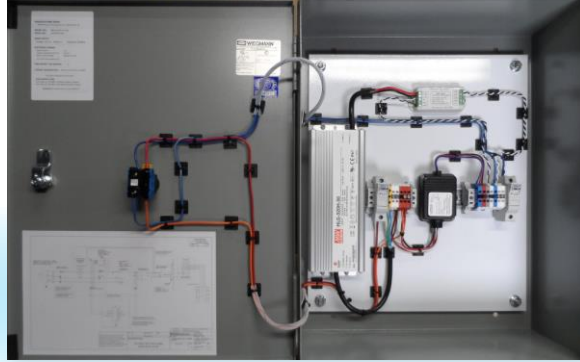
NEA-DLPS-320-30V

LED Panel Power Supply
320W, 30Vdc provides
1-100% dimming of LED panels

Lutron DDTV
0-10V Dimmer



+



PDM-LED-30V-8

8 Circuit LED Power Distribution Module
10" x 17" x 3" Aluminum enclosure

All LED panel connectors are
on one side for easy access

CBL-LED-50

50 ft. Cable with waterproof connectors,
18/2 STR OAS, CMR/FT4

Eight cables included.



50' cable is connected at LED
panel and at Power Distribution
Module. No Tools Required.

Nova Energy MRI/Imaging Suite Lighting Systems

MaxLumen MRI 2'x2' LED Flat Panel

Accessories

Surface Mount Kit



MXLUMEN22-SHW-MRI
Surface mount kit for Hard Lid installations, White, MRI Compliant, non ferrous construction. 1.5" profile provides a clean installation for projects with limited ceiling clearance

Graphic Ceiling



MXLUMEN22-GRX
2' X 2' High Definition Ceiling Mural. Hundreds of available photos selected specific for hospital environments. Printed in a photography studio. The provided hardware raises the luminaire above the ceiling to provide a clean edge to edge illumination of the image.

6" Can Lights



MXLUMEN-6-25-40-PR-CL-MRI
6" led can light for MRI applications. 2000 Lumens/ fixture and 3 available color temperatures.

Emergency Lighting



MXLUMEN-EP
Battery Back and Emergency Power Circuit added to the power supply to provide 90 minutes of lighting inside of the MRI room during a power failure.

Patient Comfort Lighting



MXLUMEN-RGB-MRI
Color Changing Ambient Cove Lighting adds patient comfort and control to the scan experience. Designed to relieve anxiety from the patient allowing faster scan time and more accurate scans.

Traditional MRI Wall Sconce



MXLUMEN-WS-M-MRI
A Modern take on a classic Wall Sconce, a timeless design appropriate in any MRI scan room.

RGB MRI Wall Sconce



MXLUMEN-WS-AB-RGB-MRI
Color Changing Ambient Wall Sconces add the finishing touch to Patient Comfort Lighting

Alabaster MRI Wall Sconce



MXLUMEN22-WS-AB-MRI
Unique Spanish Alabaster adds a warm tone to the MRI room.