

NOVA Energy & Automation



Product Specifications

Physio Box

Stainless Steel Floor Pedestal for Electric and Medical Gas Service

Model NEAS-MGP-T

A 3D perspective rendering of a stainless steel floor pedestal. The pedestal is a rectangular box with a flat top and a slightly recessed base. It is shown in a dark blue color with a metallic sheen. The rendering is set against a white background with a light blue and grey shadow beneath it.

03 January 2012

Product Description

1. Floor Pedestal for Medical Gas and Electric Service

Floor Pedestals (commonly referred to as monuments) are used as a distribution point for isolated power, network communications, and mechanical connections such as medical gases located at the end of the table in a Cath Lab or related medical imaging suite.



Figure 1: Floor Pedestal

2. System Compatibility

Toshiba Cardiovascular X-ray Installations: The Nova Physio Floor Pedestal is compatible with floor mounted Cath Lab Equipment. Infinix/CF-i/BP, Infinix VC-I.

3. Identification

Toshiba Medical Systems: The proper floor pedestal can be identified in the Toshiba site planning drawings:

Electrical Planning Sheet E1: Table Detail: Physio Box 9"W x 12"L x 8" H

4. Features/Benefits

Features

- Constructed of Load Bearing Stainless Steel with welded seams
- Removable top cover to allow for maintenance
- Individually separated services
- Pass Through cavity at the bottom of the pedestal to allow for routing of mechanical and electrical services
- Polished Stainless Steel Finish
- Manufactured to the OEMs specifications
- Continuous water tight gasket runs the entire length of the cover and service outlets.
- Floor mounting collar to assist with seamlessly matching the flooring

Benefits

- Durable Stainless steel construction
- Easy to clean
- Easy to Upgrade
- Designed for Tile flooring, laminate flooring and non covered flush mounted applications

5. Specifications

Model	NEAS-MGP-T
Description	Floor Pedestal for Medical Gas and Electrical Service
Construction	12 Gauge 304 formed Stainless Steel
Top Cover Construction	Overlapping cover stainless steel cover
Dimensions	9"W x 12"L x 8"H
Service Openings	Up to 8 Sealed Openings for Electrical, CAT 5 Network, Oxygen, Nitrous Oxide, Air Vacuum
Hardware	spring nuts, clips, pre-drilled holes, mounting screws, and levelling bolts included
Approvals	ETL Listed to UL/cUL 870 file 100450372CRT-001a, NEC Article 376, NEC 517

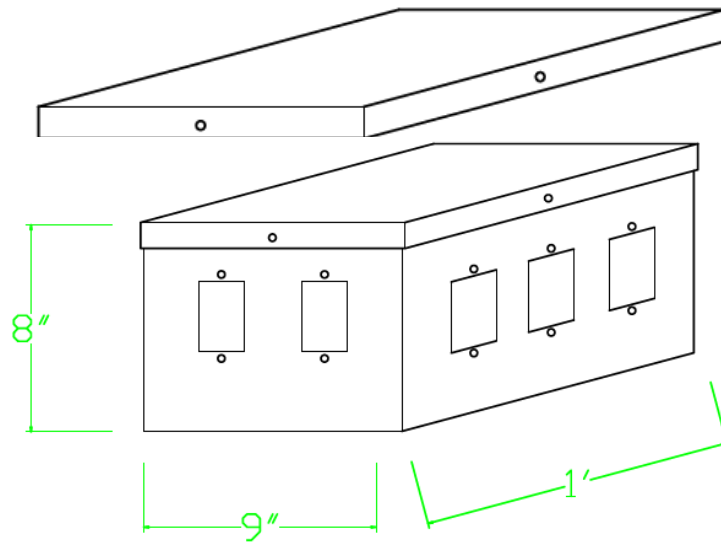


Figure 2: Floor Pedestal NEAS-MGP

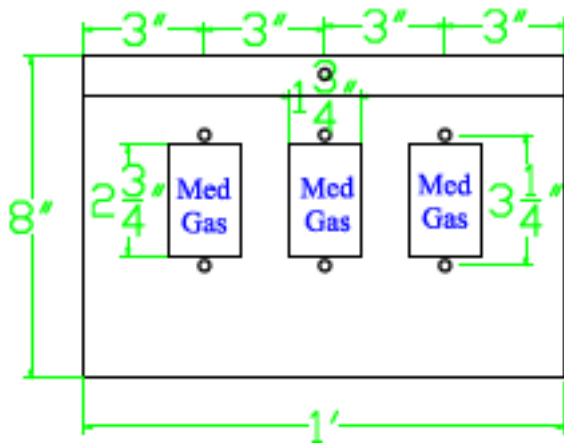


Figure 3: Right View

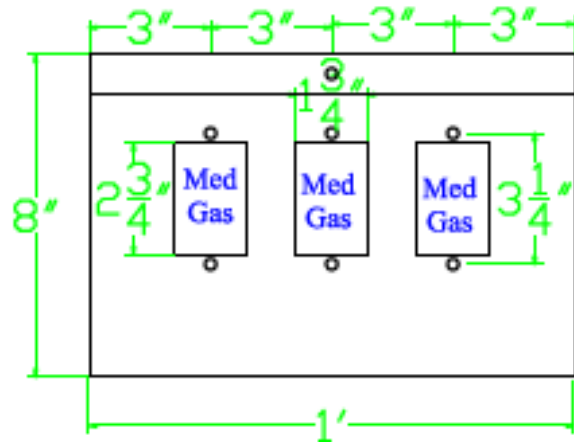


Figure 4: Left View

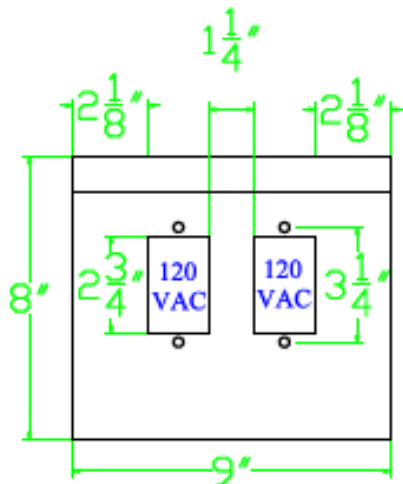


Figure 5: Front View

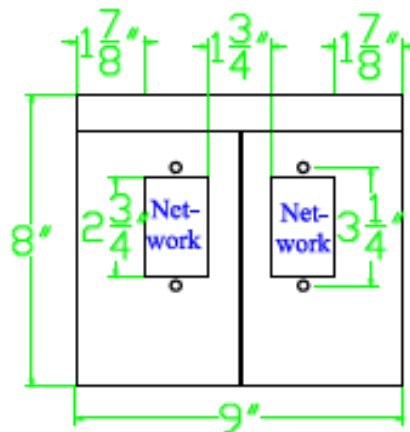


Figure 6: Rear View

6. Product Service and Technical Assistance

Nova Automation, LLC
Milwaukee WI 53210
PH# 414-939-6682
Website: www.NovaAutomation.net

7. Warranty

This limited warranty set forth below is given by Nova Automation (“Seller”) with respect to the electrical equipment (“Product”) packaged with this limited warranty. The Product, when delivered to you in new condition in its original packaging, is warranted against defects in materials or workmanship as follows: For a period of three (3) years from the date of original purchase, defective parts or a defective Product returned to a Seller, or its authorized service providers, as applicable, and proven to be defective upon inspection, will be repaired, or exchanged for a new Product, as determined by the Seller, or the authorized service provider.

This limited warranty covers all defects encountered in normal use of the Product, and does not apply in the following cases: Loss of or damage to the Product due to abuse, mishandling, alteration, accident, electrical current fluctuations, failure to follow operating, maintenance or environmental instructions prescribed by Seller, failure to follow Sellers installation instructions, or service performed by someone other than Seller or its authorized service provider.

Nova assumes no responsibility for labor or freight costs incurred in connection with the installation, removal, or replacement of products determined to be defective or any consequential or incidental damages arising from the use of the product. Nova Automations entire liability on any claim of loss or damage resulting from a defective product is limited to the replacement of the product.

WARRANTY IS VOID IF PRODUCT IS NOT USED FOR THE PURPOSE FOR WHICH IT WAS MANUFACTURED.

8. Approvals

Prepared By _____

([Job Title])

This document requires the following approvals

Approved By _____

([Job Title])

([Job Title])

Approval Date _____